

# QL Active Corrosion Protection System



## QL Active Corrosion Protection System

The QL Active Corrosion Protection System helps prevent galvanic corrosion from attacking the metal parts of your sterndrive or outboard. This system complements the sterndrive/outboard sacrificial anodes and is not intended to replace those. The Active Corrosion Protection System is recommended for fiberglass boats that are used in salt water with varying degrees of corrosiveness, or where extra protection against corrosion is needed. The system is designed to protect the mass of one sterndrive or outboard. An additional kit is required for installation on a twin engine boat.

### Easy Installation

The system comes complete with wiring and detailed installation instructions. Standard tools, a drill and suitable underwater sealant are all that is required for most installations. The active anode and reference sensor units should be located on the transom as far below the water line as possible and at least 3 inches (76mm) from any metallic parts or components. The wires can be mounted either through

the transom or can be mounted on the surface of the transom and enter above the waterline.

### Built in LED's

LED's on the electronic control unit let you know if the drive is being protected. The system constantly monitors the area around the sterndrive or outboard. By reading the LED's on the electronic control unit which is mounted inside the boat you will be aware of what is going on under the water around your sterndrive or outboard.

### A minimum of maintenance

The QL Active Corrosion Protection System is designed for 12V electrical systems and has absolutely no moving parts, so minimum maintenance is required.

### How it works

The system works using an on-board electronic control unit, together with a reference anode and an active anode — both fitted below the waterline. The reference anode senses the electrical potential of the surrounding water and sends a signal to the control unit, which in turn sends an appropriate

current to the active anode. Different combinations of water temperature, chemical composition and exposed surface require different levels of current. The active anode then emits varying levels of ions into the water surrounding the drive, and these ions effectively prevent galvanic corrosion, ultimately protecting the drive.

### Features:

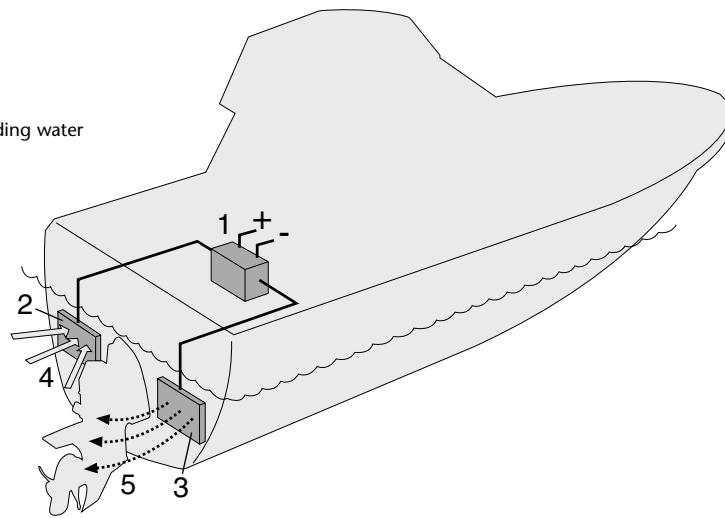
- Helps to prevent galvanic corrosion.
- Works with your aluminum or zinc anodes to protect your sterndrive or outboard .
- Fits all sterndrives and outboards in salt water applications.
- Electronic control unit inside the boat has LED's which let you know the drive is being protected.
- Provides constant monitoring of the drive or outboard while in saltwater.
- Low amp draw 3mA while in the monitoring mode.
- Easy to install, no special tools required.
- CE approved.
- Not designed for use in freshwater or with magnesium anodes.
- No moving parts.



Marine Accessories  
By Volvo Penta

# QL Active Corrosion Protection System

- 1 Control Unit
- 2 Reference anode
- 3 Active anode
- 4 Sensing the surrounding water
- 5 Ions emitted



## Facts:

Description Notes	P / N
Universal mount kit	41101900

### Kit Content:

Control Unit  
Reference anode  
Active anode  
Cable with inline fuse  
Install instructions  
All necessary fasteners



Marine Accessories  
By Volvo Penta

QL – Quality Line – a series of marine accessories supported by the Volvo Penta dealer network and selected independent dealers worldwide.

[www.qlmarine.com](http://www.qlmarine.com)