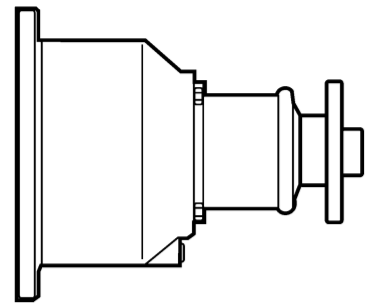


# REVERSE GEAR MODELS

**RB**

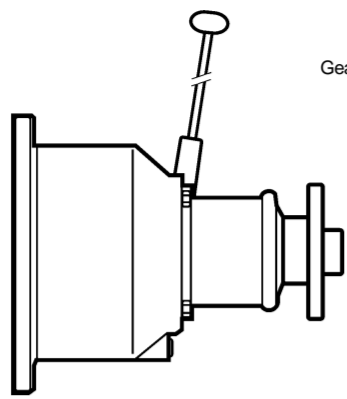


Oil: Common with engine  
Qty: Common with engine

Ratio: 1.87:1  
3.42:1 (with additional gear)

**RB**

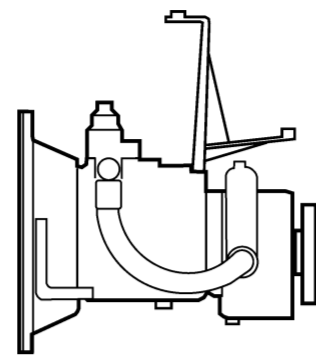
Gear shift lever



Oil: Common with engine  
Qty: Common with engine

Ratio: 1.87:1  
3.42:1 (with additional gear)

**MS**

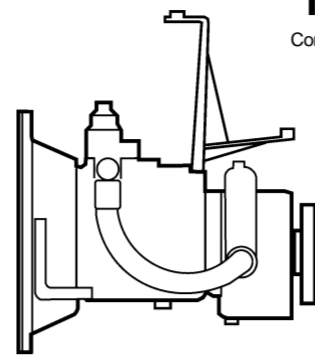


Oil: Same as engine  
Qty: 0.60 liters (0.63 US qts)

Ratio: 1:1  
1.91:1

**MSB**

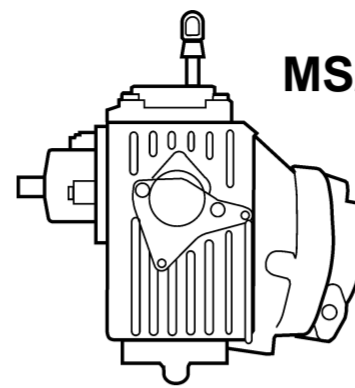
Cone with lining



Oil: Same as engine  
Qty: 0.6 liters (0.63 US qts)

Ratio: 1:1  
1.91:1

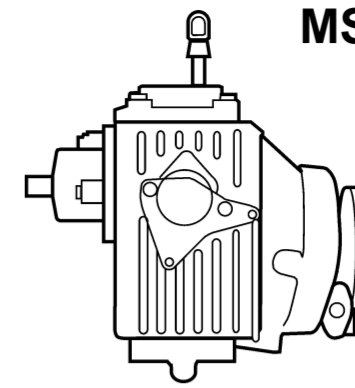
**MS2  
MS2B-A**



Oil: Same as engine  
Qty: 0.8 liters (0.85 US qts)

Ratio: 2.37:1  
3.02:1

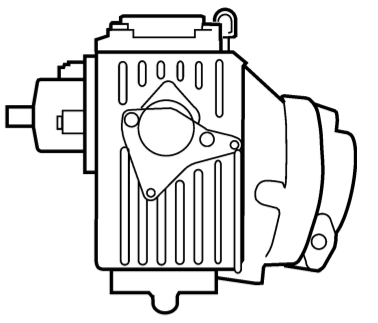
**MS2B-L**



Oil: Same as engine  
Qty: 0.8 liters (0.85 US qts)

Ratio: 2.30:1

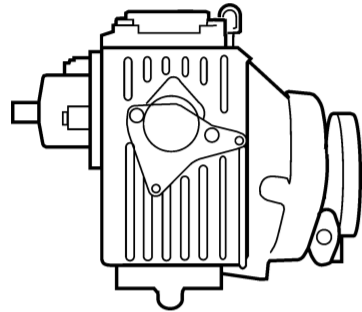
**MS2A-D**



Oil: Same as engine  
Qty: 0.8 liters (0.85 US qts)

Ratio: 2.40:1  
3.00:1

**MS2L-D**

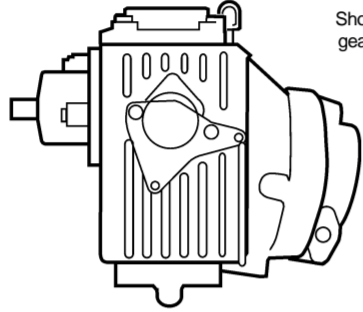


Oil: Same as engine  
Qty: 0.8 liters (0.85 US qts)

Ratio: 2.30:1

**MS2A-E**

Shot blasted gear wheels

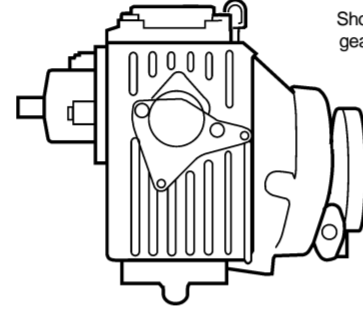


Oil: Synthetic Gear Oil  
API GL-5, SAE 75W/90  
Qty: 0.8 liters (0.85 US qts)

Ratio: 2.40:1  
3.00:1

**MS2L-E**

Shot blasted gear wheels

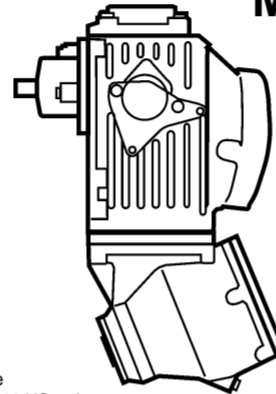


Oil: Synthetic Gear Oil  
API GL-5, SAE 75W/90  
Qty: 0.8 liters (0.85 US qts)

Ratio: 2.30:1

**MS2V**

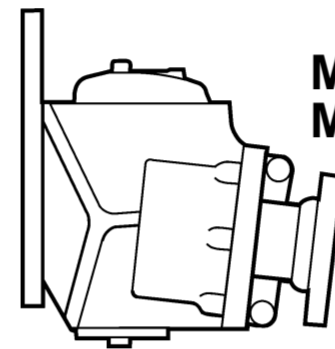
V-drive



Oil: Same as engine  
Qty: 1.8 liters (1.90 US qts)

Ratio: 2.40:1  
3.00:1

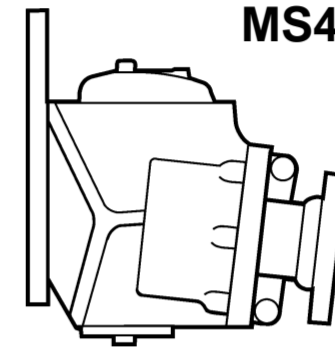
**MS3  
MS3B  
MS3C**



Oil: Same as engine  
Qty: 1.6 liters (1.69 US qts)

Ratio: 1.54:1  
1.93:1  
MS3C: 2.73:1  
2.91:1

**MS4A**

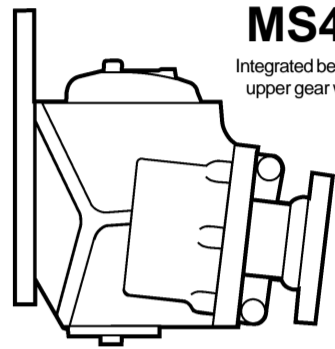


Oil: Synthetic Gear Oil  
API GL-5, SAE 75W/90  
Qty: 1.7 liters (1.79 US qts)

Ratio: 1.54:1  
1.94:1  
2.63:1

**MS4B**

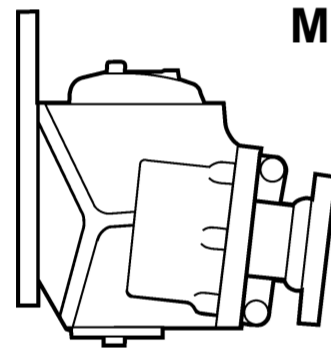
Integrated bearing, upper gear wheel



Oil: Synthetic Gear Oil  
API GL-5, SAE 75W/90  
Qty: 1.7 liters (1.79 US qts)

Ratio: 1.54:1  
1.94:1  
2.63:1

**MS5A**

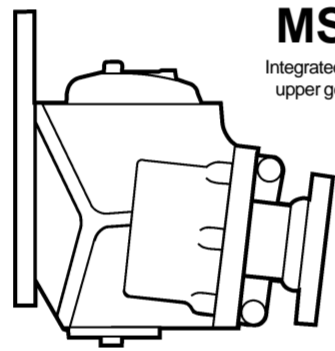


Oil: Synthetic Gear Oil  
API GL-5, SAE 75W/90  
Qty: 1.7 liters (1.79 US qts)

Ratio: 1.55:1  
1.94:1  
2.40:1

**MS5B**

Integrated bearing, upper gear wheel

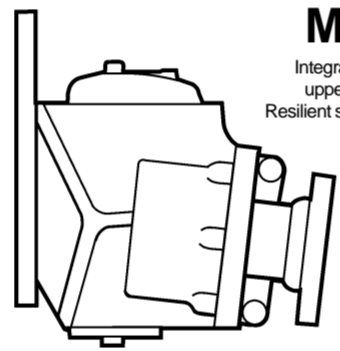


Oil: Synthetic Gear Oil  
API GL-5, SAE 75W/90  
Qty: 1.7 liters (1.79 US qts)

Ratio: 1.55:1  
1.94:1  
2.40:1

**MS5C**

Integrated bearing, upper gear wheel  
Resilient sliding sleeve

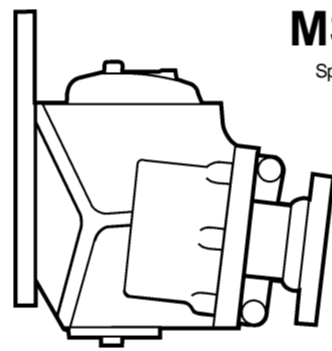


Oil: Synthetic Gear Oil  
API GL-5, SAE 75W/90  
Qty: 1.7 liters (1.79 US qts)

Ratio: 1.94:1  
2.40:1  
2.40:1

**MS4/5**

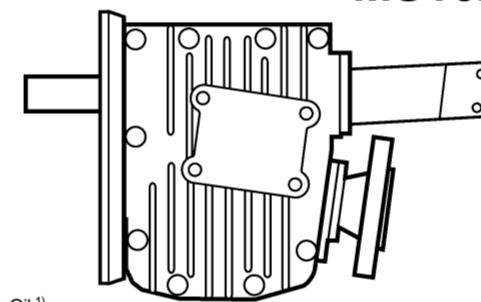
Spare part unit



Oil: Synthetic Gear Oil  
API GL-5, SAE 75W/90  
Qty: 1.7 liters (1.79 US qts)

Ratio: 1.55:1  
1.94:1  
2.40:1  
2.63:1

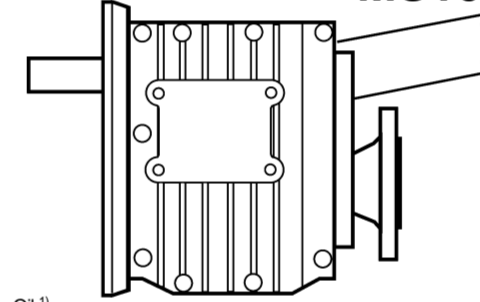
**MS10A**



Oil:<sup>1)</sup> Same as engine or Automatic Transmission Fluid (ATF) Dexron II/III  
Qty: 0.35 liters (0.37 US qts)

Ratio: 2.35:1  
2.72:1

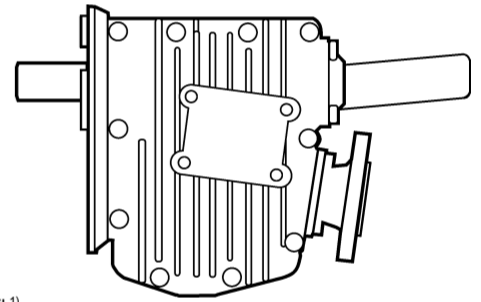
**MS10L**



Oil:<sup>1)</sup> Same as engine or Automatic Transmission Fluid (ATF) Dexron II/III  
Qty: 0.35 liters (0.37 US qts)

Ratio: 2.35:1  
2.72:1

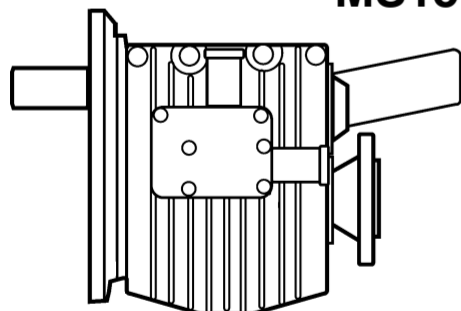
**MS15A**



Oil:<sup>1)</sup> Same as engine or Automatic Transmission Fluid (ATF) Dexron II/III  
Qty: 0.56 liters (0.59 US qts)

Ratio: 2.14:1  
2.63:1

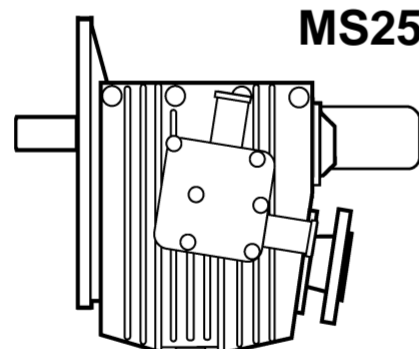
**MS15L**



Oil:<sup>1)</sup> Same as engine or Automatic Transmission Fluid (ATF) Dexron II/III  
Qty: 0.56 liters (0.59 US qts)

Ratio: 2.14:1  
2.63:1

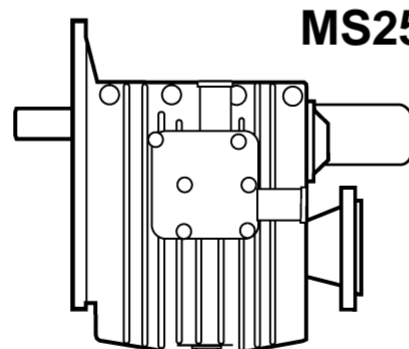
**MS25A**



Oil:<sup>1)</sup> Same as engine or Automatic Transmission Fluid (ATF) Dexron II/III  
Qty: 0.75 liters (0.79 US qts)

Ratio: 2.23:1  
2.74:1

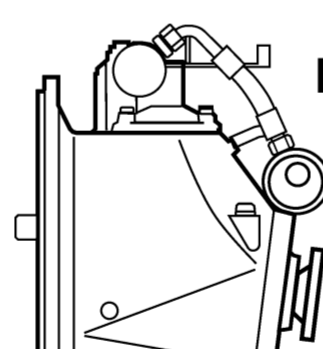
**MS25L**



Oil:<sup>1)</sup> Same as engine or Automatic Transmission Fluid (ATF) Dexron II/III  
Qty: 0.75 liters (0.79 US qts)

Ratio: 2.27:1  
2.74:1

**HS1  
HS1A**

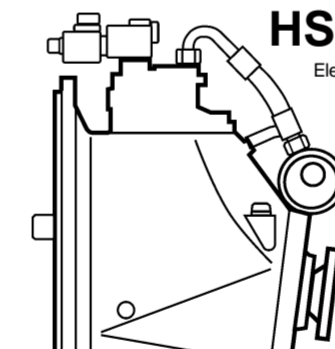


Oil: Same as engine  
Qty: 3.0 liters (3.17 US qts)

Ratio: 1.96:1  
2.62:1

**HS1E-A**

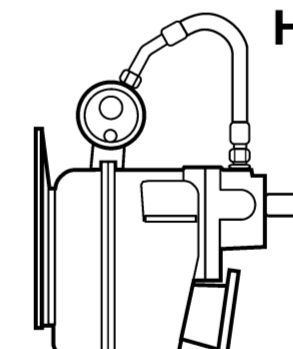
Electric gear shift



Oil: Same as engine  
Qty: 3.0 liters (3.17 US qts)

Ratio: 1.96:1  
2.62:1

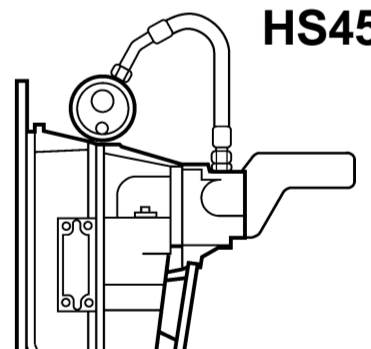
**HS25A**



Oil: Automatic Transmission Fluid (ATF) Dexron II/III  
Qty: 1.8 liters (1.90 US qts)

Ratio: 2.29:1  
2.71:1

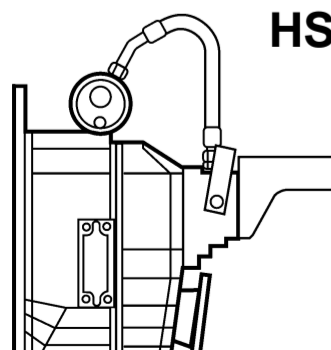
**HS45A**



Oil: Automatic Transmission Fluid (ATF) Dexron II/III  
Qty: 2.0 liters (2.11 US qts)

Ratio: 1.51:1  
2.03:1  
2.43:1

**HS63A**

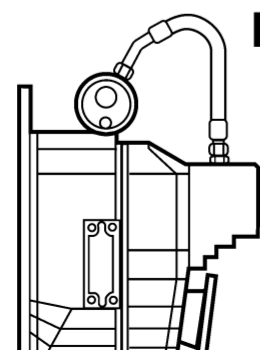


Oil: Automatic Transmission Fluid (ATF) Dexron II/III  
Qty: 3.0 liters (3.17 US qts)

Ratio: 1.56:1  
2.04:1  
2.52:1  
2.68:1

**HS63AE**

Electric gear shift

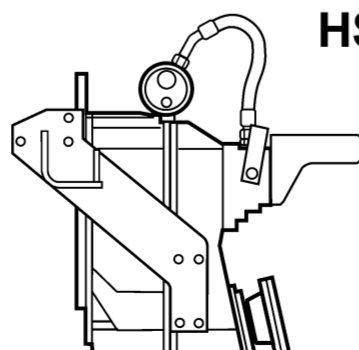


Oil: Automatic Transmission Fluid (ATF) Dexron II/III  
Qty: 3.0 liters (3.17 US qts)

Ratio: 1.56:1  
2.04:1  
2.52:1  
2.68:1

**HS63V**

V-drive

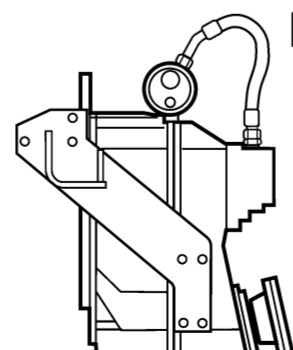


Oil: Automatic Transmission Fluid (ATF) Dexron II/III  
Qty: 4.0 liters (4.23 US qts)

Ratio: 1.56:1  
2.00:1  
2.48:1

**HS63VE**

V-drive  
Electric gear shift



Oil: Automatic Transmission Fluid (ATF) Dexron II/III  
Qty: 4.0 liters (4.23 US qts)

Ratio: 1.56:1  
2.00:1  
2.48:1

## Oil specifications

Type of oil	Grade	Viscosity	Quantity	Part no.	Quantity US	Part no. US
Gear Oil	API GL-5	SAE 90	1 liter	1141637-7	1 US qt	3855834-2
Gear Oil	API GL-5	SAE 90	5 liter	1141638-5	1 US gal	3855836-7
Gear Oil	API GL-5	SAE 90	20 liter	1141639-3	Not available	Not available
Synthetic Gear Oil	API GL-5	SAE 75W-90	1 liter	1141634-4	1 US qt	3851128-3
Synthetic Gear Oil	API GL-5	SAE 75W-90	5 liter	1141635-1	1 US gal	3851129-1
Synthetic Gear Oil	API GL-5	SAE 75W-90	20 liter	1141636-9	5 US gal	3851133-3
ATF-Oil	Dexron II		5 liter	1161941-8	1.3 US gal	1161941-8
ATF-Oil	Dexron III		5 liter	1161995-4	1.3 US gal	1161995-4

1) **NOTE!** Never mix oil qualities when topping up.